

Model 12

Use

Model 12 is a flat receipt and payment tray that comes ready for installation. It is ideal for use as an indoor counter unit for handing over receipts, documents and small amounts of money. It offers level FB4 firearms protection, and is available in firearms protection class FB6 or FB7 for high security areas on request.



Safety and features

- Ready-for -mounting flat tray for handing over flat items such as files up to DIN A4 in size, receipts, documents, passes, rolls of money and other items up to 30mm high.
- User-friendly edges for removing coins.
- Materials offer firearms protection, capable of withstanding heavy handgun fire. The unit has received M3/FB4 certification from the firearms licensing authority.
- Model 12 fulfils German UVV regulations.

Materials and use

- The flat tray is made of a special substance with a black-brown baked on enamel finish.
- Surround made of 1mm brushed stainless steel.
- All metal parts have been produced using state-of-the-art precision laser cutting technology for ultimate quality.
- Model 12 is suitable for use in indoor areas.
- The receipt and payment trays require no maintenance. No need for cleaning or lubrication.

Payment trays

Outer dimensions

(all measurements in mm)

Width 416

Depth 354

Height 53

Tray clearance

Width 335

Height 30

Mounting dimensions, wall recess

330 x 392 x 55

Weight

7,5 kg

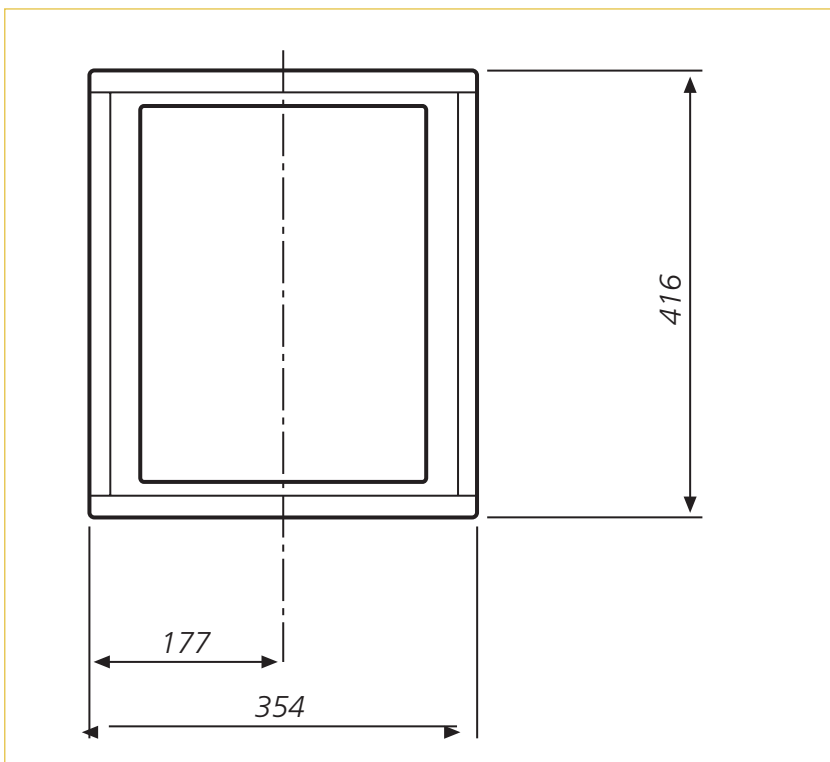
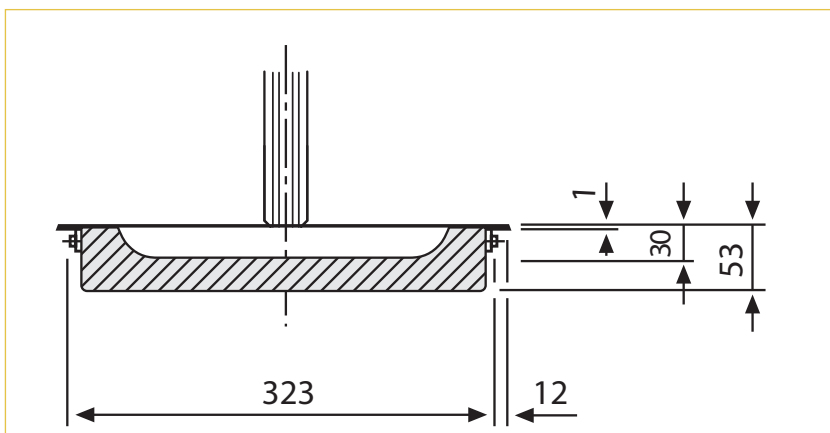
Miscellaneous

- Other colours available on request
- Also available in firearms protection class FB6 or FB7 for high security areas, with certificate

Model 12

Installation and dimensions

The receipt and payment tray comes ready for mounting in an existing wall recess, into which it is inserted from above.



Walter Wurster GmbH

Heckenrosenstraße 38

D-70771 Leinfelden-Echterdingen

Telefon: +49 (0) 711 / 9 49 62-0

Telefax: +49 (0) 711 / 7 97 72 90

e-mail: kontakt@IdeeninBlech.de

internet: www.IdeeninBlech.de