

Model 5

Use

Model 5 receipt and payment tray is a fixed unit that comes ready for installation. Ideally it should be used within doors and counters in payment cubicles, emergency payment units or indoor porter counters. The tray is suitable for handing over receipts, documents and rolls of money.



Safety and features

- Fixed flat tray for handing over flat items such as files, receipts, documents, passports and rolls of coins up to 30 mm high.
- User-friendly edges for removing coins.
- Offers firearms protection, capable of withstanding heavy handgun fire eg, up to 44 Magnum. Has received M3/FB4 certification from the firearms licensing authority
- Model 5 fulfils German UVV regulations

Materials and use

- Flat tray consists of a steel plate insert tray.
- Insert tray is finished with polyurethane foam and black-brown covering layer.
- All metal parts have been produced using state-of-the-art precision laser cutting technology for ultimate quality.
- Model 5 is best suited to indoor use.
- This receipt and payment tray requires no maintenance. No need for cleaning or lubrication.



Payment trays

Outer dimensions

(all measurements in mm)

Width 355

Depth 190

Height 40

Tray clearance

Width 315

Height 30

Mounting dimensions

Door section 355 x 190 x 40

Weight

4 kg

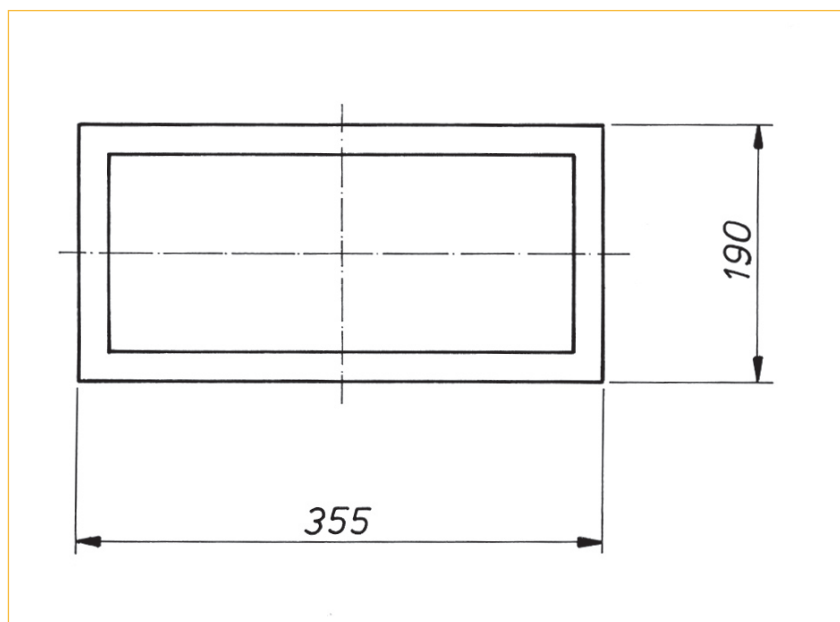
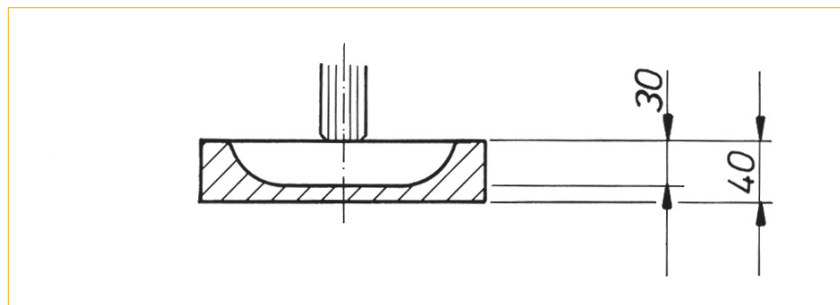
Miscellaneous

- Model 5 is also available with a shutter mechanism and has been specially made for assembly in prepared door units as an emergency counter
- Variant 7005 comes with shutter mechanism, frame and glazing for use as an emergency counter in prepared door units
- Coating also available in other colours on request

Model 5

Installation and dimensions

The receipt and payment tray comes ready for mounting in prepared door sections. The tray is mounted by inserting it into the recess in the door from the operator side. Consideration must be given to access requirements and the possible need to remove the unit later in the unlikely event of repairs.



Walter Wurster GmbH

Heckenrosenstraße 38

D-70771 Leinfelden-Echterdingen

Germany

Telefon: +49 (0) 711 / 9 49 62-0

Telefax: +49 (0) 711 / 7 97 72 90

e-mail: kontakt@IdeeninBlech.de

internet: www.IdeeninBlech.de